



恒鑫过滤
HengXin Filtration



湖州恒鑫过滤

科技有限公司

Huzhou Hengxin Filter Technology Co.,ltd

2020 (第十三期) **耐腐蚀/耐酸碱**
Corrosion resisting/acid and alkali resistance



塑料过滤器专业制造商/Plastic Filters Manufacturer

湖州恒鑫过滤科技有限公司成立于一九九五年，是国内专业的水处理配件生产商，拥有各种国家专利四十余项，产品已出口美国、澳洲、欧洲、中东、台湾等多个国家和地区。

产品主要包括爪型布水器、玻璃钢罐体配件、水帽、盐阀及其配件，和具有自主知识产权的全塑精密过滤器（3芯/5芯/8芯/9芯）系列，全塑袋式过滤器（1#，2#）系列，玻璃钢精密过滤器（18芯）系列，大通量PALL款过滤器系列，TBF[®]管式可反洗过滤组件，大流量滤芯过滤器系统组合，以及具有大通量、高流速、高强度等优良性能的绕丝管布水器系列。

“以质量求生存，以诚信赢客户，以优新取市场”是恒鑫公司的创业宗旨。公司热忱欢迎您的光临和惠顾，期待您时刻关注我们的企业和产品。

Huzhou Hengxin Filter Technology Co.,ltd was found in 1995, is the professional manufacturer of water treatment products, have got more than 40 patent certifications. The Products have been exporting to America, Australia, Europe, Middle-east countries.

The main products including:water distributors,accessories of FRP tanks, filter nozzles,and UPVC cartridge filter housing (3/5/8/9 rounds) series, UPVC bag filter housing (1#/2#) series, FRP cartridge filter housing (18rounds) series. Pall filter housings, TBF[®] tubular Backwashing filters, High Flow Purification Systems,and high flow pvc sonic-welded screen water distributors.

With our good quality, profession & innovation products, excellent service, we warmly welcome your presence and patronage.



➔ 过滤器系列 Filter Housings

- ◎ 全塑精密过滤器（3芯/5芯,8芯/9芯）
UPVC cartridge filter housings(3nos/5nos/8nos/9nos)
- ◎ 玻璃钢精密过滤器（18芯）
FRP cartridge filter housings(18nos)
- ◎ 大滤芯过滤器（壳体材质UPVC）
UPVC High Flow filter housings
- ◎ 大滤芯过滤器（壳体材质PP/PVDF）
PP/PVDF High Flow filter housings
- ◎ 全塑UPVC袋式过滤器（1#, 2#）
UPVC bag filter housings(1#/2#)
- ◎ 全塑袋式过滤器
Bag filter housings
- ◎ 大流量滤芯过滤器系统组合
High Flow Purification Systems
- ◎ TBF®管式可反洗过滤组件
TBF® tubular Backwashing filters
- ◎ 大胖滤瓶
Big Blue filter

耐腐蚀/耐酸碱

Corrosion resisting/acid and alkali resistance



专业 创新

PROFESSION & INNOVATION





CE certificate

耐腐蚀/耐酸碱

Corrosion resisting/acid and alkali resistance



滤芯式过滤器系列

Cartridge Filter Housings

- ◎ 全塑精密过滤器 (3芯/5芯)
UPVC cartridge filter housings (3nos/5nos)
- ◎ 全塑精密过滤器 (8芯/9芯)
UPVC cartridge filter housings (8nos/9nos)
- ◎ 玻璃钢精密过滤器 (18芯)
FRP cartridge filter housings (18nos)

CE certificate

不同的螺栓形式和压力表可供选择

Different bolts and Pressure Gauge are available

全塑精密过滤器 (3芯/5芯) /Cartridge Filters (3nos/5nos)



BP-P1



BS-P1



BS-P2



C-P1



C-P2

	型号系列 Type	螺栓形式 Bolts	密封材质 Sealing Material	压力表形式 Pressure Gauge
3芯/5芯 (3nos/5nos)	B系列/B series	BP=塑料螺栓/Plastics BS1=SS304螺栓/SS304 BS2=SS316螺栓/SS316	E=三元乙丙/EPDM S=硅橡胶/Silicon V=氟橡胶/Viton	P1=不锈钢压力表/SS Pressure Gauge P2=PP隔膜压力表/PP Pressure Gauge
	C系列/C series	C1=SS304螺栓/SS304 C2=SS316螺栓/SS316		

全塑精密过滤器 (8芯/9芯) /Cartridge Filters (8nos/9nos)



BP-P1



BS-P1



BS-P2

	螺栓形式 Bolts	密封材质 Sealing Material	压力表形式 Pressure Gauge
8芯/9芯 (8nos/9nos)	BP=塑料螺栓/Plastics BS=SS316螺栓/SS316 BI=镀锌螺栓/Iron	E=三元乙丙/EPDM S=硅橡胶/Silicon V=氟橡胶/Viton	P1=不锈钢压力表/SS Pressure Gauge P2=PP隔膜压力表/PP Pressure Gauge

CE certificate

滤芯过滤器(保安、精密过滤器)是一种高精度的过滤装置。产品主要用于前置处理，广泛用于纯水设备，海水淡化，苦咸水处理设备，酸碱性液体过滤等领域，也可用作家庭净水器使用。

HPCF cartridge filter is a filter system with high precision. It is mainly used in pretreatment, can be widely used in pure water equipment, desalination, treatment of Brackish Water, Acid and alkali liquid filtration and other fields, also it can act as home water purification equipment.



本产品获得国家实用新型专利证书，专利号为：ZL201821245100.0

获得国家发明专利证书，专利号为：200510049195X

已通过0-0.6Mpa打10万次循环疲劳测试。

It has got the utility model patent, which is issued by the state intellectual property office of the P.R.C. The patent NO is: ZL201821245100.0

It has got the patent of invention.

The patent NO is: 200510049495.X

It has achieved 0-0.6 MPa 100,000 times recycle fatigue test successfully.

型号 Type	材质 Material	尺寸 Size	滤芯数量 Cartridges pcs	滤芯尺寸 Cartridges size	进出水口 In/Out(mm)	最大工作压力 Max pressure
HPCF-5DC1	UPVC	Ø225-H465	5/3	10"	DN40/ ANSI1.5"(W=365)	A=0.4MPA
HPCF-5DC2		Ø225-H715		20"		
HPCF-5DC3		Ø225-H965		30"	DN50/ ANSI2"(W=540)	B/C=0.6MPA
HPCF-5DC4		Ø225-H1215		40"		

Note:

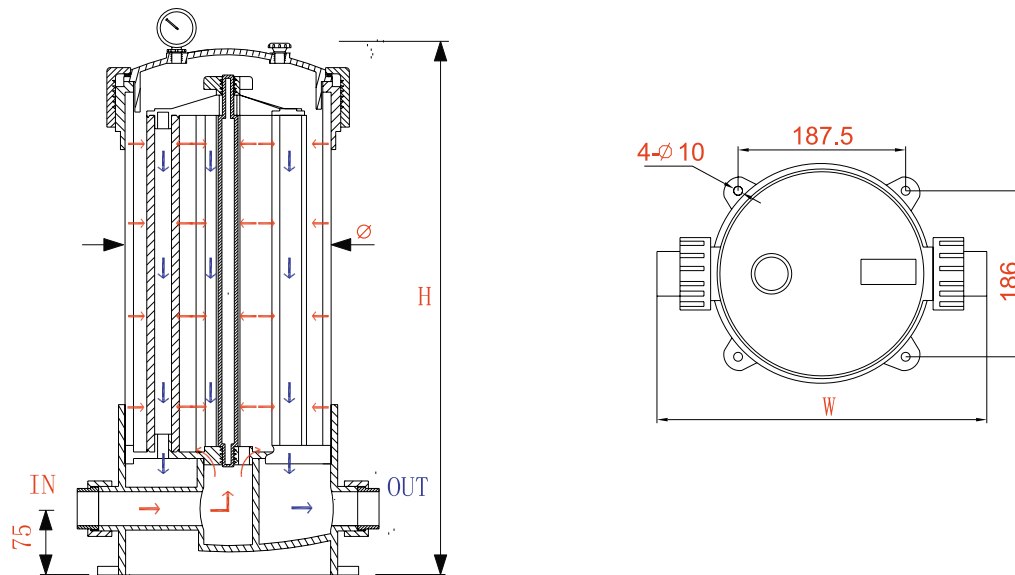
桶体内安装各种材质各种精度的内径为28-30mm；外径为60-70mm的两端平压式滤芯（或标准222接头滤芯）5根或3根。

最高工作温度：45℃，顶盖上预留的排气阀及压力表安装孔的螺纹尺寸为：G1/4"，配公制压力表需要订购转接头。

It can install all material; all precision's cartridge 5 PCS or 3 PCS, which I.D. is 28-30mm, O.D. is 60-70mm.

The highest working temperature is 45℃, The size of the two holes in the lid of the filter is G1/4". If the thread of the pressure gauge is metric standard, should add an adaptor.

CE certificate

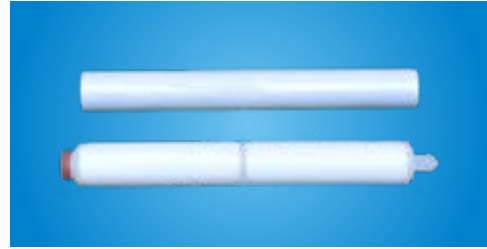


产品优势/Product Merits

- 1、本过滤器采用UPVC 材质，部件一次成型，标准化生产，更换、维修方便。
- 2、本过滤器进出水口在同一水平直线，连接有1.5” 或2” 的由令接头，视觉美观、整齐。
- 3、过滤器布水采用从过滤器底部中心往上向四周均匀布水，滤芯受冲击阻力小；顶部装有排气阀，便于过滤器中空气排出。
- 4、过滤器底部系统与顶部滤芯定位压紧板均采用一体式设计，滤芯的安装并压紧既容易又可避免内漏现象。
- 5、A款过滤器封盖与本体连接采用宽螺纹连接密封，既确保过滤器完好的密封性能，又给更换滤芯的拆装带来了方便和快捷。B 款过滤器采用吊环螺丝法兰式密封，使过滤器能承受更大压力。
- 6、过滤器为UPVC 材质成型，具有较强的耐腐蚀性，能用于不锈钢不能代替的化工行业，更能体现它的经济价值和实用价值。

- 1.All the parts of this series filters are made of UPVC material.
- 2.The inlet and outlet are in the same line, which connected with the pipe is adopt a 1.5” or 2” union.
- 3.The distribution system of HPCF filters is distributed from bottom to top.Water is well-proportioned with small strike to cartridges and air is easy to be discharged.
- 4.The bottom system of HPCF filter is designed together as a whole with the top localizer & closure system.
Cartridges are easy to be installed, push down and closed, preventing leaking inside.
- 5.A series: The lid and the body are connected by a nut. Ensure a good seal performance.
B series: The lid and the body are connected using eyebolts flange method, ensure the filter can stand higher pressure.
- 6.HPCF filter is corrosion resistant, It can be used in SS-none-replace field .

CE certificate



本产品获得国家实用新型专利证书，专利号为：
ZL201821245100.0

获得国家发明专利证书，专利号为：
200510049195X

已通过0-0.6Mpa打10万次循环疲劳测试。

It has got the utility model patent, which is issued by the state intellectual property office of the P.R.C. The patent NO is: ZL201821245100.0

It has got the patent of invention.

The patent NO is: 200510049495.X

It has achieved 0-0.6 MPa 100,000 times recycle fatigue test successfully.

型号 Type	材质 Material	尺寸 Size	滤芯数量 Cartridges pcs	滤芯尺寸 Cartridges size	进出水口 In/Out(mm)	排污口 Drainer(mm)	最大工作压力 Max pressure
HPCF-9DC2	HPCF-8DC2	Ø315-H745	9/8	20"	DN80/ ANSI3"	DIN1/2" or ANSI1/2"	0.6MPA (86PSI)
HPCF-9DC3	HPCF-8DC3	Ø315-H995		30"			
HPCF-9DC4	HPCF-8DC4	Ø315-H1245		40"			

Note:

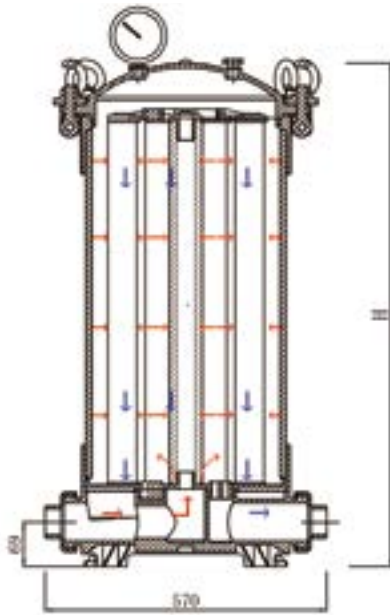
桶体内安装各种材质各种精度的内径为28-30mm；外径为60-70mm的两端平压式滤芯（或标准222接头滤芯）9根或8根。

最高工作温度：45℃，顶盖上预留的排气阀及压力表安装孔的螺纹尺寸为：G1/4"，配公制压力表需要订购转接头。

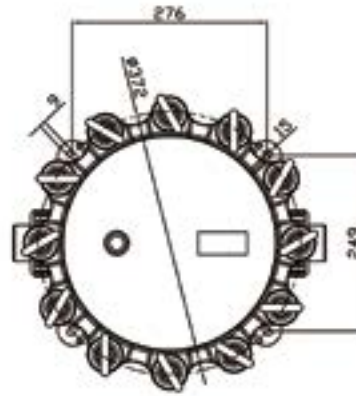
It can install all material; all precision's cartridge 9 PCS or 8 PCS, which I.D. is 28-30mm, O.D. is 60-70mm.

The highest working temperature is 45℃, The size of the two holes in the lid of the filter is G1/4". If the thread of the pressure gauge is metric standard, should add an adaptor.

CE certificate



水流示意图
Flow Diagram



底座定位图
Pedestal Location

产品优势/Product Merits

- 1、过滤器采用UPVC 材质，部件一次成型，标准化生产，更换、维修方便。
- 2、过滤器进出水口在同一水平直线，连接有3” 的由令接头，视觉美观、整齐。
- 3、过滤器布水采用从过滤器底部中心往上向四周均匀布水，滤芯受冲击阻力小；顶部装有排气阀，便于过滤器中空气排出。
- 4、过滤器底部系统与顶部滤芯定位压紧板均采用一体式设计，滤芯的安装并压紧既容易又可避免内漏现象。
- 5、过滤器封盖与本体连接采用吊环螺丝法兰式密封，既确保过滤器完好的密封性能，又给更换滤芯的拆装带来了方便和快捷且使过滤器能承受更大压力。
- 6、过滤器为UPVC 材质成型，具有较强的耐腐蚀性，能用于不锈钢不能代替的化工行业，更能体现它的经济价值和实用价值。

- 1.All the parts of this series filters are made of UPVC material.
- 2.The inlet and outlet are in the same line, which connected with the pipe is adopt a 3” union.
- 3.The distribution system of HPCF filters is distributed from bottom to top.Water is well-proportioned with small strike to cartridges and air is easy to be discharged.
- 4.The bottom system of HPCF filter is designed together as a whole with the top localizer & closure system.
Cartridges are easy to be installed, push down and closed, preventing leaking inside.
- 5.The lid and the body are connected using eyebolts flange method, Ensure a good seal performance. and ensure the filter can stand higher pressure.
- 6.HPCF filter is corrosion resistant, It can be used in SS-none-replace field.

CE certificate



本产品获得国家发明专利证书
 专利号为：ZL201510966133.9
 已通过0-1.0MPa的10万次循环疲劳测试

It has got the patent of invention.
 The patent No is;ZL201510966133.9
 It has achieved 0-1.0MPa 100,000 times recycle fatigue test successfully.

型号 Type	材质 Material	尺寸 Size	滤芯数量 Cartridges pcs	滤芯尺寸 Cartridges size	进出水口 In/Out(mm)	排污口 Drainer(mm)	最大工作压力 Max pressure
HPCF-18DC4	FRP	Ø465-H1413	18	40"	4"coupling	1"socket	1.0MPa(150PSI)
HPCF-18DC5	FRP	Ø465-H1663	18	50"	4"coupling	1"socket	1.0MPa(150PSI)

Note:

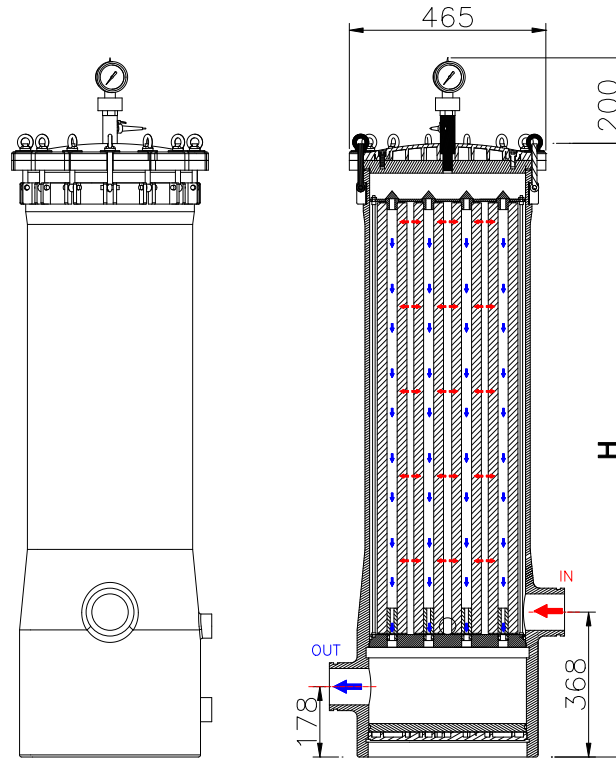
桶体内安装各种材质各种精度的内径为28-30mm：外径为60-70mm的两端平压式滤芯18根。

最高工作温度：45℃

It can install all material; all precision's cartridge 18 PCS, which I.D. is 28-30mm, O.D. is 60-70mm.

The highest working temperature is 45℃, The size of the two holes in the lid of the filter is G1/2". If the thread of the pressure gauge is metric standard, should add an adaptor.

CE certificate



玻璃钢水流示意图
Flow Diagram

产品优势/Product Merits

- 1、过滤器采用FRP 材质，部件一次成型，标准化生产，更换、维修方便。
- 2、过滤器进出水口 连接有4"coupling，拆装方便，视觉美观、整齐。
- 3、过滤器采用上部进水，滤芯受冲击阻力小；顶部装有排气阀，便于过滤器中空气排出。
- 4、过滤器底部系统与顶部滤芯定位压紧板均采用一体式设计，滤芯的安装并压紧既容易又可避免内漏现象。
- 5、过滤器封盖与本体连接采用吊环螺丝法兰式密封，既确保过滤器完好的密封性能，又给更换滤芯的拆装带来了方便和快捷且使过滤器能承受更大压力。
- 6、过滤器为FRP 材质成型，具有较强的耐腐蚀性，能用于不锈钢不能代替的化工行业及海水淡化领域。

- 1.All the parts of this series filters are made of FRP material.
- 2.The inlet and outlet , which connected with the pipe is adopt a 4" coupling.
- 3.The distribution system of HPCF filters is distributed from top.Water is well-proportioned with small strike to cartridges and air is easy to be discharged.
- 4.The bottom system of HPCF filter is designed together as a whole with the top localizer & closure system.Cartridges are easy to be installed, push down and closed, preventing leaking inside.
- 5.The lid and the body are connected using eyebolts flange method, Ensure a good seal performance. and ensure the filter can stand higher pressure.
- 6.HPCF filter is corrosion resistant, It can be used in SS-none-replace field, and seawater treatment field

CE certificate

PF型大通量过滤器具有通量大、使用寿命长，可广泛应用于污水与废水回用、海水淡化、苦咸水处理，酸碱性液体过滤，农业灌溉，泳池等领域。

PF filter system can be widely used sewage and wastewater reuse, desalination, Brackish Water , Acid and alkali liquid filtration Agricultural irrigation Swimming pool equipment and other fields. It is character with high flow, long working life and good operation of complex liquid.



型号 Type	材质 Material	尺寸 Size(mm)	滤芯高度 L1(mm)	进出水高度 L2(mm)	进出水口 In/Out(mm)	最大工作压力 Max pressure
PF20	UPVC	Ø225-H1070	525	905	FLG: DN50/ANSI2"	0.7MPA(100PSI)
PF40		Ø225-H1560	1015	1395		

Note:

桶体内放置大通量滤芯1只;

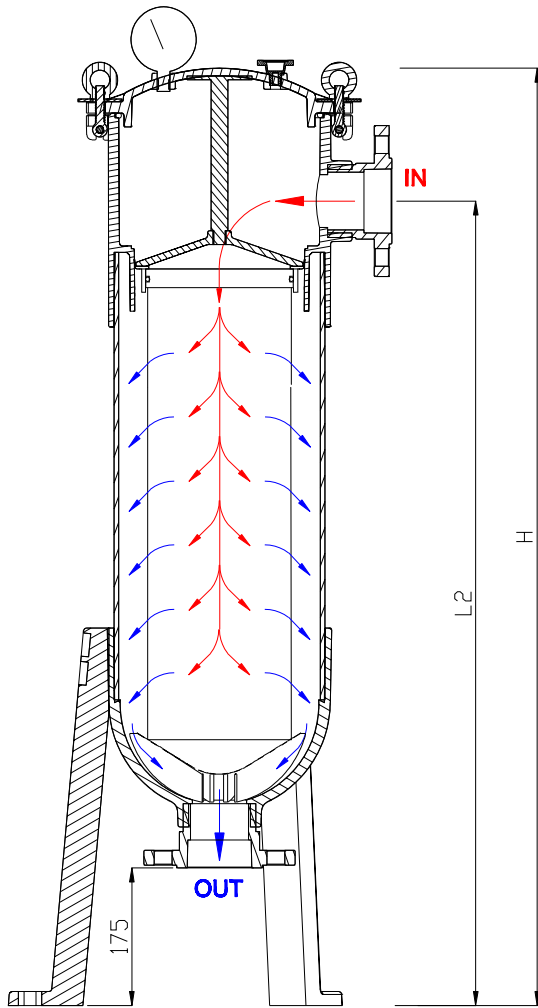
最高工作温度: 45℃, 排气孔、压力表安装孔螺纹尺寸为: G1/4", 配公制压力表需要订购转接头。

It can install high flow cartridge one PCS.

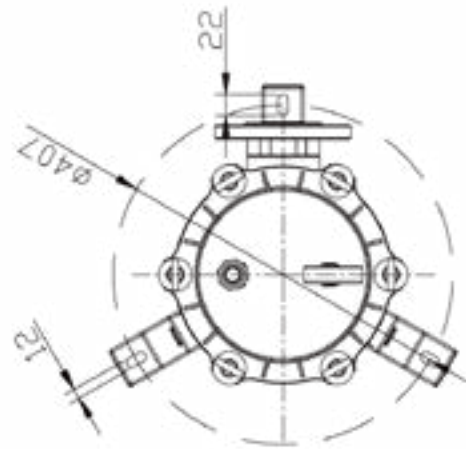
The highest of working temperature is 45 °C , The size of the two holes in the lid of the filter is G1/4"

If the thread of the pressure gauge is metric standard,should add an adaptor.

CE certificate



水流示意图
Flow Diagram



底座定位图
Pedestal Location

产品优势/Product Merits

- 1、UPVC 材质的过滤器耐腐蚀性强;能适用于不锈钢及碳钢不能进入的领域
 - 2、单芯通量大, 远远超过传统滤芯
 - 3、使用寿命长, 一般为普通滤芯的3-4倍以上
 - 4、滤芯封闭端上的方便把手, 让滤芯的更换变得轻松和快捷。
- 1、UPVC material has good corrosion resistant, so can suit for non-SS field.
 - 2、The flow is more than other cartridges.
 - 3、Long working life, more than 3 times than others.
 - 4、Handle design make the cartridge replacement become easier.

CE certificate

大滤芯过滤器采用PP/PVDF为原料, 具有通量大、使用寿命长, 可广泛运用于污水及废水回用, 海水淡化, 苦咸水处理, 化工酸碱液体过滤, 电镀等领域。

High Flow series filter uses PP/PVDF as raw material .Can be widely used sewage and Wastewater reuse, Desalination, Brackish Water, Acid and alkali liquid filtration in Chemical industry , Electroplating indust and other fields. It is characterwith high flow, long working life and good operation of complex liquid.

◆ 专利产品

Patented product

◆ 耐酸碱

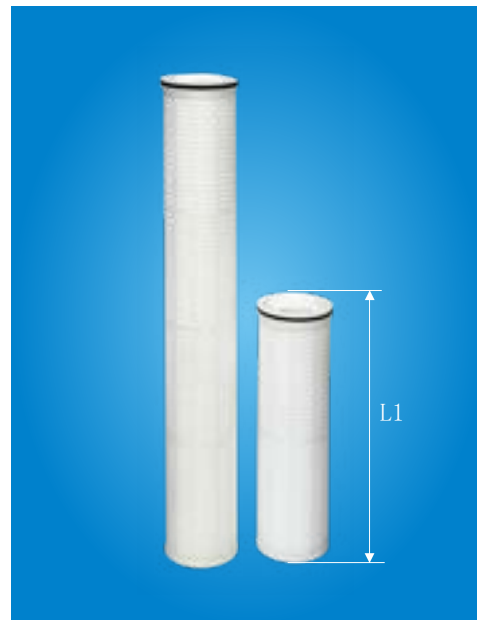
Acid & alkai resistant

◆ 耐高温

High temperature resistant

◆ 耐有机溶剂

Organic solvents resistance



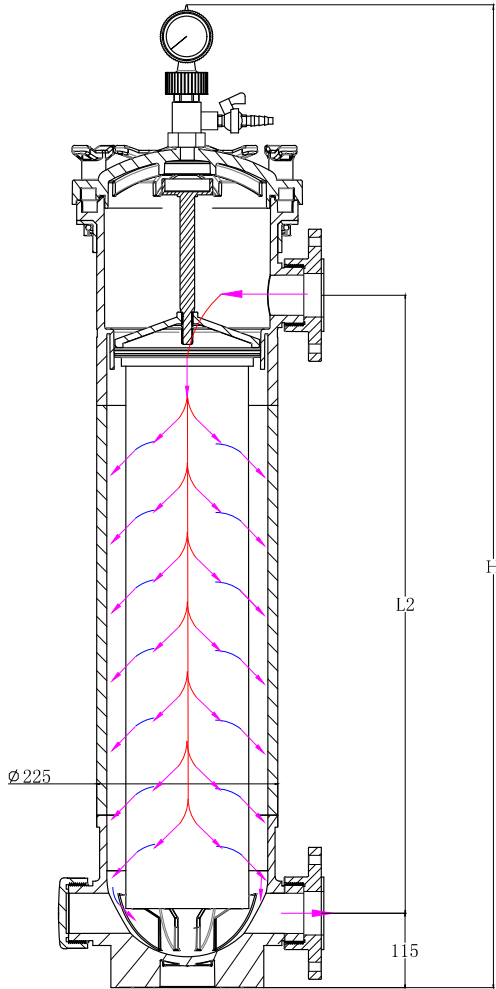
型号 Type	材质 Material	尺寸 Size(mm)	滤芯高度 L1(mm)	进出水高度 L2(mm)	进出水口 In/Out(mm)	最大工作压力 Max pressure
PF20-C	PP/PVDF	Ø225-H1096	525	588	FLG: DN50/ ANSI2"	PP:0.8MPA(116PSI) PVDF:1.0MPA(150PSI)
PF40-C		Ø225-H1586	1015	1078		

Note:

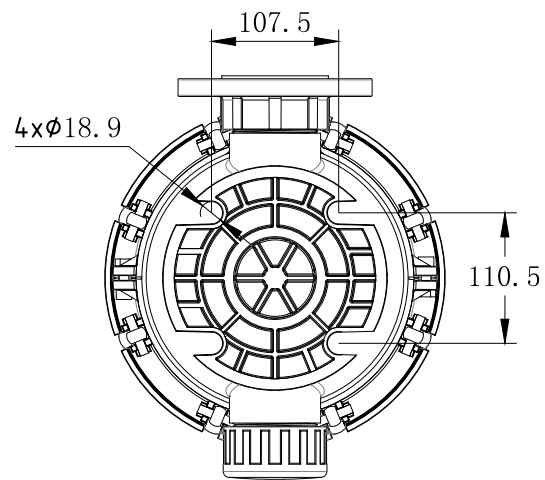
桶体内放置大通量滤芯1只;

It can install high flow cartridge one PCS.

CE certificate



水流示意图
Flow Diagram



底座定位图
Pedestal Location

产品优势/Product Merits

- 1、耐压高：PP材质过滤器耐压为0.8MPa，PVDF材质过滤器耐压为1.0MPa；
- 2、耐高温：PP材质过滤器耐温可达65℃；PVDF材质过滤器耐温可达100℃；
- 3、耐腐蚀，耐酸碱，耐有机溶剂，可用于化工，电镀等领域；
- 4、过滤精度高，过滤范围为0.5-200微米；
- 5、安装拆卸方便。

- 1、High pressure: PP material filter pressure is 0.8 MPa; PVDF material filter pressure is 1.0 MPa;
- 2、High temperature resistance: PP material filter temperature resistance up to 65 °C, PVDF material filter temperature resistance up to 100 °C;
- 3、Corrosion resistance, acid and alkali resistance, organic solvent resistance, Chemical industry, electroplating and other fields;
- 4、High precision, the filter range can be from 0.5~200um.
- 5、Easy to install and disassemble.

CE certificate

HXP全塑袋式过滤系统是一种新型的过滤系统，具有过滤精度高，处理量大，使用、维护方便等特点。因此可广泛应用于污水处理，中水回用，酸碱液体过滤，农业灌溉，泳池等领域。

HXP bag filter system is a new filter system. It is character with high precision, big flow, easy installation and maintenance. So it can be widely used in Sewage treatment, reclaimed water reuse, acid-base liquid filtration, agricultural irrigation, swimming pool and other fields.



本产品获得国家实用新型专利证书，专利号为：ZL201821245100.0

获得国家发明专利证书，专利号为：200710164500.9

已通过0-0.6MPa的10万次循环疲劳测试。

It has got the utility model patent, the patent NO is: ZL201821245100.0

It has got the patent of invention.the patent NO is: 200710164500.9

It has achieved 0-0.6 MPa 100, 000 times recycle fatigue test successfully.



A系列顶盖用扳手

Spanner for the lid of A series

型号 Type	材质 Material	尺寸 Size(mm)	滤袋尺寸 Bag size	进出水口 In/out	进水口高度 L	最大工作压力 Max pressure
HXP-BF-1-1-A	UPVC	Q225-H805	Q"(178mm)-H17"(419mm)	法兰FLG: DN50/ANSI2"	650	A=0.4MPA
HXP-BF-1-2-A		Q225-H1190	Q"(178mm)-H32"(813mm)		1035	
HXP-BF-1-1-B		Q225-H820	Q"(178mm)-H17"(419mm)		665	B=0.7MPA
HXP-BF-1-2-B		Q225-H1200	Q"(178mm)-H32"(813mm)		1045	

Note:

桶体内安装各种材质各种精度滤袋1只；

最高温度：45℃，排气孔、压力表安装孔螺纹尺寸为G1/4"配公制压力表需要订购转接头。

It can install all material, all precision's filter bag 1 pcs

The highest of working temperature is 45℃, the size of the two holes in the lid of the filter is G1/4"

If the thread of the pressure gauge is metric standard, should add an adaptor.

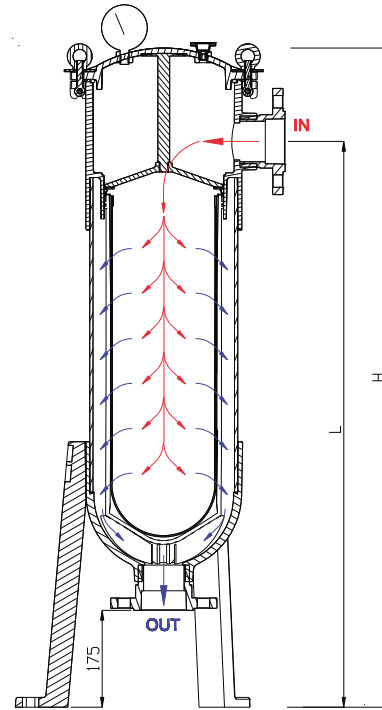
CE certificate

工作原理

要过滤的物体从进料口流入，液体从滤袋内流向滤袋外，经过滤器下出口流入指定容器内，滤除的颗粒杂质被拦截在滤袋中，确保更换滤袋时不致污染下流液体，滤袋更换后可继续使用。

Operate Element

The liquid which will be purged should be poured into the bag filter from the inlet, then the liquid flow from the inner surface of the bag to the outer surface. At last, it will be come into the appointed tank. On reverse, the impurity will be held up in the bag. The filter can be recycled when changed another new bag.

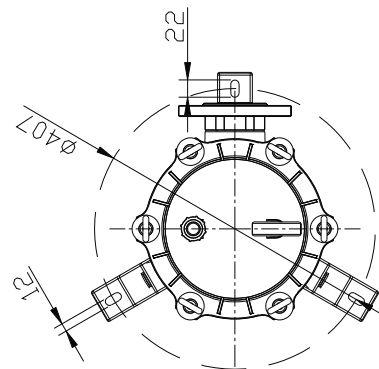


水流示意图 Flow Diagram

产品优势/Product Merits

- 1、UPVC 材质的过滤器耐腐蚀性强;
- 2、独特的压板卡扣密封装置，使系统更加安全可靠;
- 3、采用独特的过滤设计技术，有效防止滤袋陷入滤篮内的可能，确保100%无溢漏;
- 4、结构紧凑，外表美观、安装操作简单、占地面积小;
- 5、过滤精度高，过滤范围为0.5~200微米;
- 6、单位过滤面积的处理流量大，容污量大，过滤效率高;
- 7、与国外进口袋式过滤器相比，价格优势显著。

- 1、UPVC material has good corrosion resistant.
- 2、The unique seal system makes the filter more safety.
- 3、It can prevent the bag plunged into the support basket, no inner leak.
- 4、Good appearance and compact inner construct.
- 5、High precision, the filter range can be from 0.5~200um.
- 6、High efficiency of filter: quick flow of liquid, big capacity of impurity
- 7、The price is more competitive.



底座定位图
Pedestal Location

CE certificate

全塑袋式过滤系统是一种新型的过滤系统，具有过滤精度高，处理量大，使用、维护方便等特点。因此可广泛应用于污水处理，中水回用，酸碱液体过滤，化工，电镀，泳池温泉水过滤等领域。

Bag filter system is a new filter system. It is character with high precision, big flow, easy installation and maintenance. So it can be widely used in sewage and wastewater reuse, Desalination, Brackish Water , Acid and alkali liquid filtration, Chemical industry, electroplating, swimming pool, hot spring water filtration and other fields.

◆ 专利产品

Patented product

◆ 耐酸碱

Acid & alkai resistant

◆ 耐高温

High temperature resistant

◆ 耐有机溶剂

Organic solvents resistance



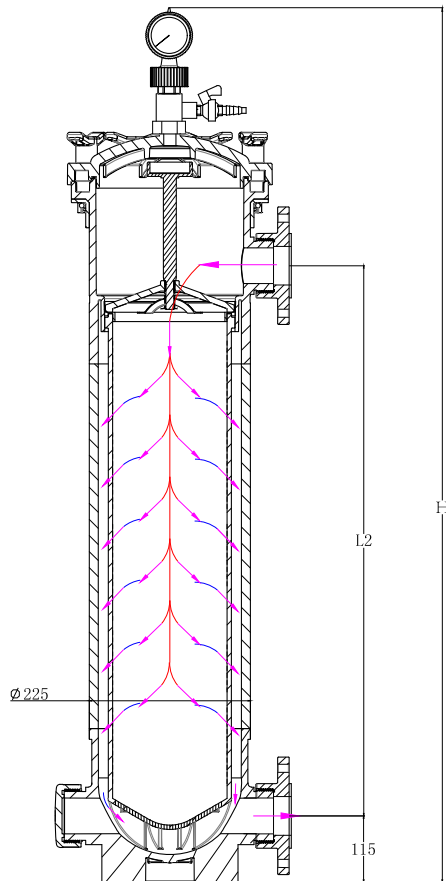
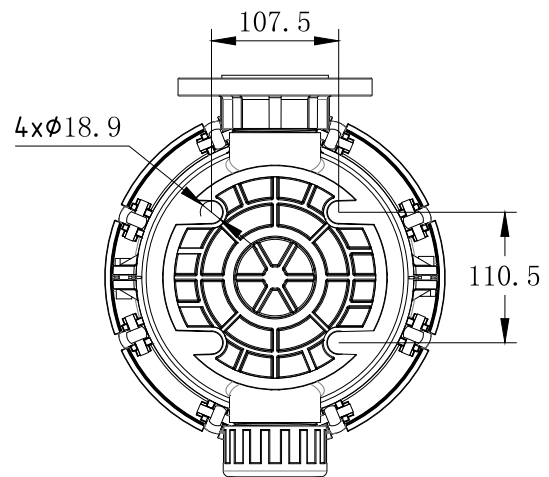
型号 Type	材质 Material	尺寸 Size(mm)	滤袋尺寸 Bag size	进出水高度 L2(mm)	进出水口 In/Out(mm)	最大工作压力 Max pressure
HXP-BF-C-1-PP	PP	Ø225-H905	Q"(178mm)-H17"(419mm)	387	法兰FLG: DN 50/ANSI 2"	0.8MPA(116PSI)
HXP-BF-C-2-PP		Ø225-H1285	Q"(178mm)-H32"(813mm)	767		
HXP-BF-C-1-PVDF	PVDF	Ø225-H905	Q"(178mm)-H17"(419mm)	387		1.0MPA(150PSI)
HXP-BF-C-2-PVDF		Ø225-H1285	Q"(178mm)-H32"(813mm)	767		

Note:

桶体内安装各种材质各种精度滤袋1只;

It can install all material, all precision' s fiter bag 1 pcs .

CE certificate


 水流示意图
Flow Diagram

 底座定位图
Pedestal Location

产品优势/Product Merits

- 1、耐压高：PP材质过滤器耐压为0.8MPa，PVDF材质过滤器耐压为1.0MPa；
- 2、耐高温：PP材质过滤器耐温可达65℃；PVDF材质过滤器耐温可达100℃；
- 3、耐腐蚀，耐酸碱，耐有机溶剂，可用于化工，电镀等领域；
- 4、过滤精度高，过滤范围为0.5-200微米；
- 5、安装拆卸方便。

- 1、High pressure: PP material filter pressure is 0.8 MPa; PVDF material filter pressure is 1.0 MPa;
- 2、High temperature resistance: PP material filter temperature resistance up to 65 °C, PVDF material filter temperature resistance up to 100 °C;
- 3、Corrosion resistance, acid and alkali resistance, organic solvent resistance, Chemical industry, electroplating and other fields;
- 4、High precision, the filter range can be from 0.5~200um.
- 5、Easy to install and disassemble.

CE certificate

产品优势/Product Merits

- ◆更高的设计强度标准，通过 0.6Mpa，10 万次疲劳强度验证；

Higher design strength standard,through 0.6MPA,100,000 fatigue strength verification.

- ◆安装维保更为方便，设有多个排污取压接口选择；

More convenient to install and maintenance,multiple choice of drain and discharge pressure interface.

- ◆价格更具竞争力，尤其对大型海淡和废水回用项目；

Price is more competitive,especially for large sea water desalination and waste water reuse projects.

- ◆优越的抗腐蚀性能，过流部件全部采用 UPVC /CPVC 制造；

Superior anti-corrosion performance,flow passage components are all made by UPVC/CPVC.

- ◆大流量滤芯过滤器适用 20 ",40 ",60" 大通量折叠滤芯；

20",40",60"large flux folding filter element is suitable for this housing.

- ◆端盖采用抱箍快接的形式，拆卸方便，更换滤芯快捷方便；

The end cover adopts the form of quick coupling,easy to remove and replace the filter element.

- ◆进出水口跟壳体是一体式，对比玻璃钢过滤器，玻璃钢过滤器进出水口采用塑料接头，与壳体连接采用机械密封，存在漏水的风险；

The inlet & outlet and the shell are integrated.Compared with the FRP filter, which inlet and outlet are made of plastic connector,and the mechanical seal is used for the connection of the shell,there will be a risk of leakage.

应用领域/ Application field

- ◆苦咸水，海水淡化 / Brackish water,sea water desalination
- ◆瓶装水，纯水再造 / Bottled water,pure water reproduction
- ◆废水，污水再回用 / Waste water,sewage reuse
- ◆循环冷却水回用 / Circulating cooling water reuse
- ◆腐蚀性液体过滤 / Corrosive liquid filtration
- ◆泳池，水族馆过滤 / Pool,aquarium filtration
- ◆农艺花卉滴灌水过滤 / Agricultural flower drip irrigation water filtration



CE certificate

大流量滤芯过滤器系统组合 / High flow purification systems

模块化产品特点 / Modular features

◆ 标准模块化设计；不同的流量设计可以任意组合

Standard modular design; different flow design can be combined arbitrarily

◆ 实现大流量的同时，减小占地面积

High flow rate, small footprint



【HPCF-HPF2×4】



【HPCF-HPF2×3】



【HPCF-HPF2×2】



【HPCF-HPF1×3】



【HPCF-HPF1×2】

型号 (Type)	工作流量 (Flowrate) (M ³ /H)	进 / 出口 (In/Out)	滤芯长度 (Length)	滤芯数量 (Qty of element)
HPCF-HPF40X2	40-80	DN125	40"	2
HPCF-HPF40X3	60-120	DN150	40"	3
HPCF-HPF40X4	80-160	DN200	40"	4
HPCF-HPF40X6	120-240	DN200	40"	6
HPCF-HPF40X8	160-320	DN250	40"	8
HPCF-HPF60X2	60-120	DN150	60"	2
HPCF-HPF60X3	90-180	DN200	60"	3
HPCF-HPF60X4	120-240	DN200	60"	4
HPCF-HPF60X6	180-360	DN300	60"	6

CE certificate

大流量折叠滤芯/High flow pleated filtration cartridge

产品特点 / Product features

- ◆更强的抗压能力 / Higher anti-pressure ability
- ◆更大的流量 / Higher flow rate
- ◆更大的过滤面积 / Bigger filtration area
- ◆更高的负载能力 / Higher load capacity
- ◆改进的流量分配 / Improved flow distribution
- ◆更强的抗污能力 / Higher dirty holding capacity
- ◆寿命长 / Longer life

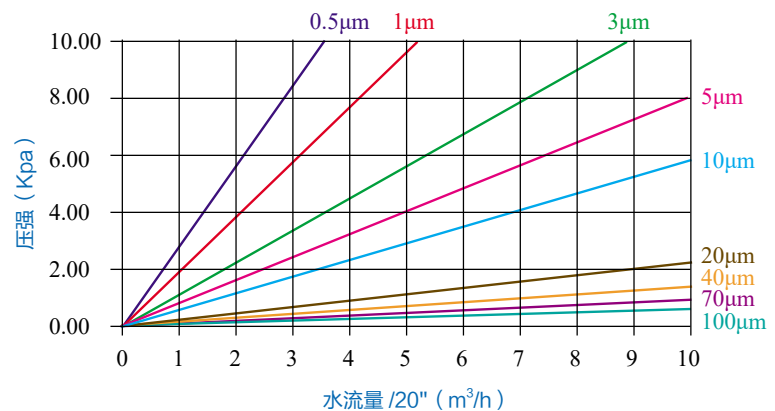


材质 (Material)	PP
长度 (Length)	20"、40"、60"
直径 (Outer diameter)	165mm
过滤形式 (Filter form)	内压式 (Internal pressure) 外压式 (External pressure)
过滤精度 (Micron)	0.5um、1um、10um、20um、50um、100um
密封圈材质 (Sealing material)	硅胶 (Silicon) 三元乙丙 (EPDM) 氟橡胶 (Viton)
技术性能 (Performance)	最高工作温度: 80°C (Maximum operating temperature: 80 °C)
	最大工作压差: 3.0bar@21°C Maximum working pressure difference: 3.0 bar @ 21 °C

流量特性/Flow characteristic



折叠式五层过滤系统
5 Layers filtration system



CE certificate

大流量滤芯壳体 / High flow cartridge filter housing

外壳特点 / Features

进出水口 (In/Out)	3" 拷贝令接口 (3" Victaulic)
排气口 (Vent)	1/4" 内螺纹 (1/4" Female)
排污口 (Drain)	1/4" 内螺纹 (1/4" Female)
顶盖安装方式 (End cover installation)	快接抱箍 (Quick coupling)

材质 / Material

壳体材质 (Body)	UPVC、CPVC
顶盖 (End cover)	UPVC、CPVC
抱箍 (Quick coupling)	SS304
密封圈 (O-Ring)	EPDM

设计参数 / Design parameters

最大工作压力 (Max working pressure)	6bar
测试压力 (Hydraulic test pressure)	15bar
最高工作温度 (Max working temperature)	45°C
疲劳测试 (Life test)	100,000cycles from 0 to 6bar
PH 值 (PH)	2-12

型号 (Type)	工作流量 (Flowrate) (M ³ /H)	进 / 出口 (In/Out)	外形尺寸 (Dimension) (mm)	滤芯长度 (Length)	滤芯数量 (Qty of element)
HPCF-HPF20	10-20	3" /3"	375x985	20"	1
HPCF-HPF40	20-40	3" /3"	375x1475	40"	1
HPCF-HPF60	30-60	3" /3"	375x1985	60"	1



CE certificate

耐腐蚀，高性价比/Corrosion resistance, Cost effective

TBF®管式可反洗过滤组件采用全塑结构设计，特别适用于中等腐蚀性液体的固液分离过程，多种不同精度的滤芯，由于其可拆可反洗的重复使用的特点，在常规滤芯和袋式过滤器受限应用场合发挥独特的作用，并具有更低的运行成本，多台组件并联集成系统可灵活满足不同大流量的要求；PLC程序控制能实现逐个组件在线或离线反洗的同时，其他在线的组件同时连续工作，无需整套备用，大大地节省投资成本；

TBF® Tubular Backwash Filter Components adopt all plastic materials, especially suit for moderately corrosive liquid solid-liquid separation process. Filter element with different precision., due to its repeated-use characteristics of detachable and backwashing, it can play a unique role in the limited application field of the conventional filter and bag filter, and has lower running costs. Multi-component parallel integration system can be flexible to meet the requirements of the different mass flow; PLC program control can realize one by one component online or offline, while other online components work continuously without the whole set of backup, which greatly save the investment cost;

应用领域/applications

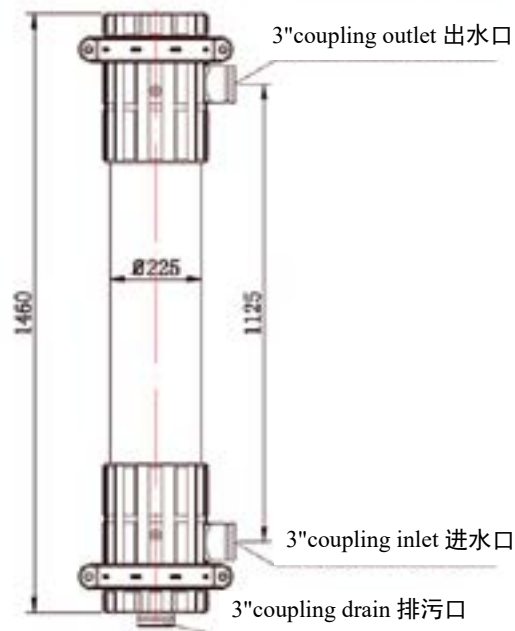
- ◆ 河水、井水和海水除砂过滤; /river water, well water and sea water;
- ◆ 膜过程系统的预过滤;/pre filtration of membrane process system;
- ◆ 工业盐水、碱水的精制过滤; /industrial salt, caustic soda refining filtration;
- ◆ 树脂碎片及活性炭粉末的去除;/ remove the resin debris and the activated carbon powder;
- ◆ 弱酸弱碱腐蚀液体的固液分离; /solid-liquid separate of the weak acid and weak base corrosion liquid;
- ◆ 纸浆白水及含纤维废水的过滤; /filter the pulp white water and wastewater containing fiber;
- ◆ 洗煤废水及洗车废水的回用; /reuse the coal washing wastewater and washing wastewater;
- ◆ 循环冷却水过滤; /filter the circulation cooling water;
- ◆ 精密滤芯和袋式过滤器的预过滤;/ pre-filter of the cartridge filter and bag filter;
- ◆ 休闲水处理（尤其是海水）; /water treatment of the leisure water(especially the sea water);

CE certificate

TBF®管式可反洗组件性能参数 / The performance parameters

型号 (Type)	过滤精度 Filtration precision (um)	网袋材质 Mesh bag material	备注 Remark
TBF7-50P	50	聚酯 polyester	★应用温度 (application temperature): 5-45°C; ★最大压差 (maximum differential pressure): 0.02Mpa; ★最大进液含固量 (maximum solid content of the inlet liquid): 500ppm; ★聚酯适用于弱酸性, 尼龙适用于弱碱性液体 : polyester is applicable to weak acid, nylon is suitable for the weak alkaline liquid;
TBF7-50N	50	尼龙 nylon	
TBF7-100P	100	聚酯 polyester	
TBF7-100N	100	尼龙 nylon	
TBF7-150P	150	聚酯 polyester	
TBF7-150N	150	尼龙 nylon	
TBF7-200P	200	聚酯 polyester	
TBF7-200N	200	尼龙 nylon	
TBF7-250	250	PVC 绕丝管 Sonic-welded screen	
TBF7-300	300		
TBF7-400	400		
TBF7-500	500		
TBF7-600	600		
TBF7-800	800		
TBF7-1000	1000		

TBF®7过滤组件安装尺寸 / Installation dimensions (mm)



CE certificate

反洗工艺的设计/Design of backwash process

a. 内置式反洗工艺 Built-in backwash process:

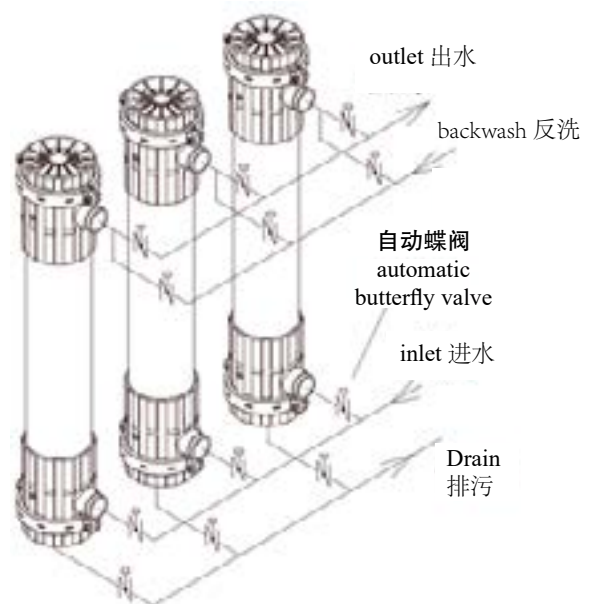
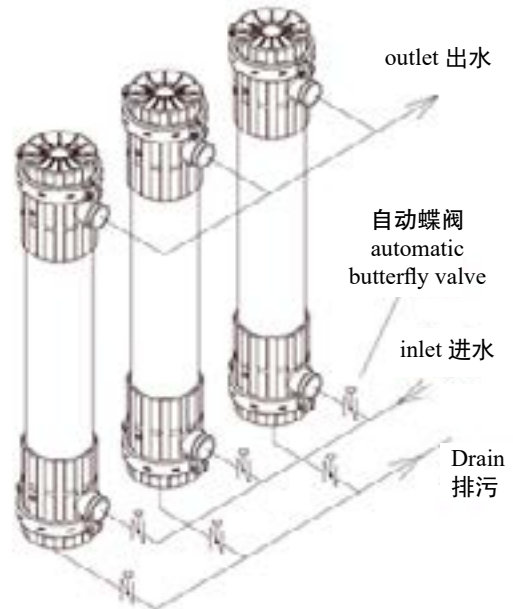
内置式反洗工艺采用系统自身过滤液，依靠其自身压力差，整个系统在连续运行的同时，对系统中的组件程序化在线逐台反洗，被过滤组件截断的固体颗粒经下部排污口自动排放；反洗时间仅10-20秒；反洗间隔周期则根据不同的液体而有所不同；无需专设反洗泵和反洗液；当工艺过滤液有足够的流量及压力满足反洗工艺时，可选择内置式反洗工艺；

The internal backwash process adopts the system's own filtrate and depends on its own pressure difference. While the whole system is running continuously, the components in the system are programmed to be backwashed. The solid particles cut off by the filter component are automatically discharged through the lower discharge outlet; The backwash time is only 10-20 seconds; The backwash interval period is different depending on the liquid; There is no need to set up the backwash pump and backwash liquid; When the filtrate has enough flow and pressure to meet the backwashing process, it can choose the built-in backwash process;

b. 外置式反洗工艺 External backwash process:

外置式反洗工艺采用离线程序化逐台反洗，反洗专用泵是需要的，而反洗液则根据工艺要求，可选择自身过滤液或其他反洗水；因此较内置式反洗工艺，具有更稳定的产水流量和压力；如果过滤系统下游直接串联其他设备，且对流量和压力的稳定性有较高要求时，应选择外置式反洗工艺；

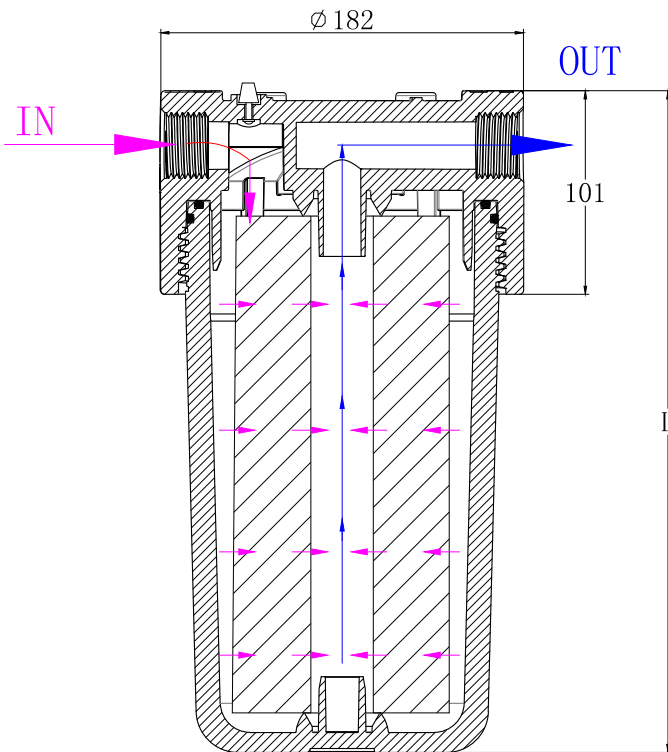
The external backwash process adopts the off-line programming, and the backwash process is carried out. Backwash special pump is needed, According to the process requirements, the backwash liquid can choose its own filtrate or other backwash water; Therefore, it has more stable water flow and pressure. If the filtration system is connected directly to other devices, when there is a high requirement for the stability of flow and pressure, external backwash should be selected;



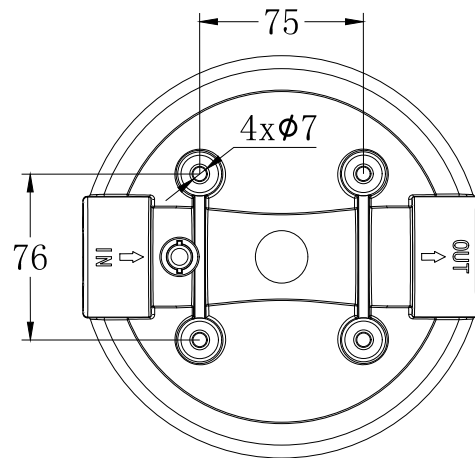
CE certificate



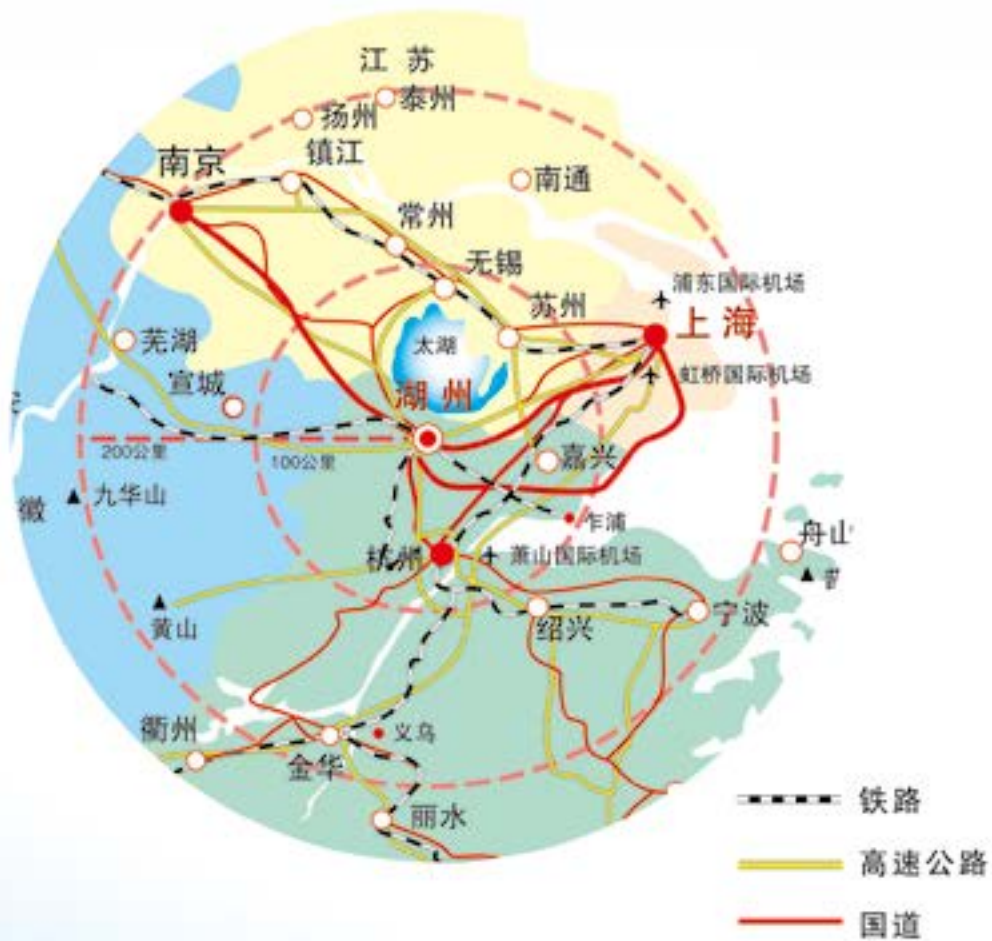
型号 Type	材质 Material	尺寸 L Size(mm)	接口尺寸 Connector Size
DP-10	PP	Ø182*331	G1" (G 3/4") /NPT1" (NPT 3/4")
DP-20		Ø182*582	



水流示意图
Flow Diagram



底座定位图
Pedestal Location



湖州恒鑫过滤科技有限公司

HuZhou HengXin Filter Technology Co., Ltd

地址：浙江省湖州市八里店工业园区

(Add): Balidian Industrial Zone, Huzhou, Zhejiang, China

电话 (Tel): 86-572-2812276 (国内销售)

86-572-2812278 (foreign trade department)

传真 (Fax): 86-572-2812277

网址: <http://www.hxplastics.com> (国内销售)

<http://www.hengxinfilter.com> (foreign trade department)

E-mail: info@hxplastics.com (国内销售)

jessica@hxplastics.com (foreign trade department)



企业微信公众号